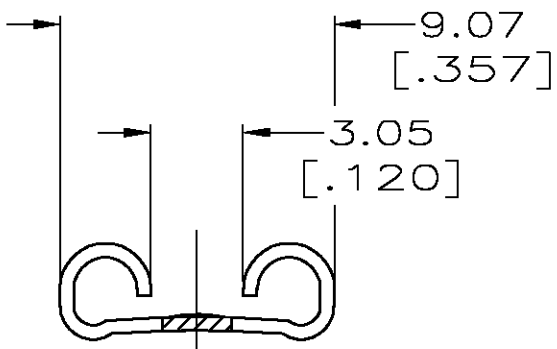
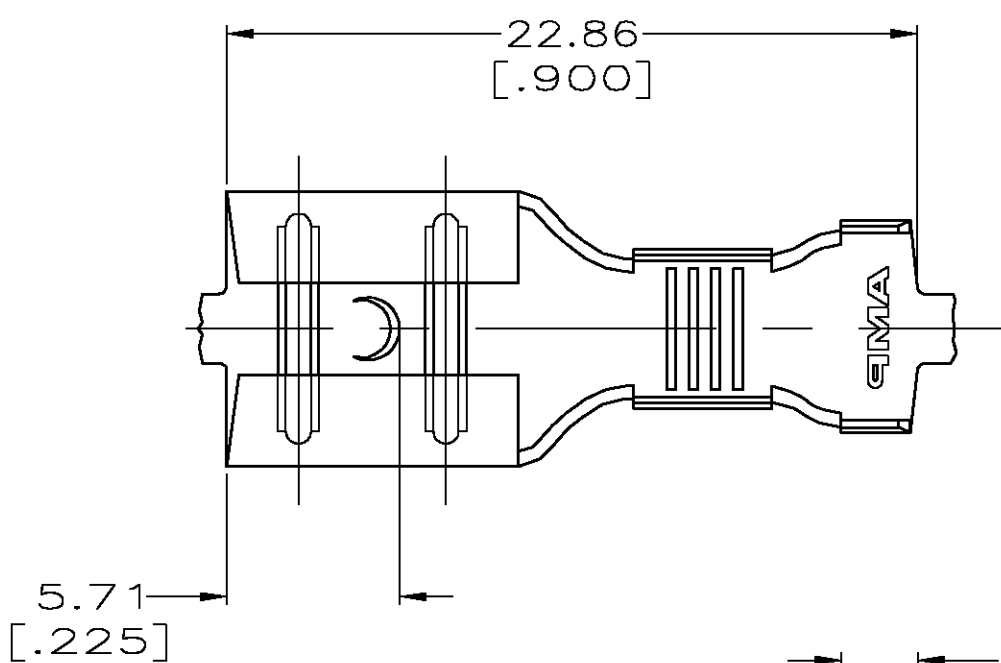
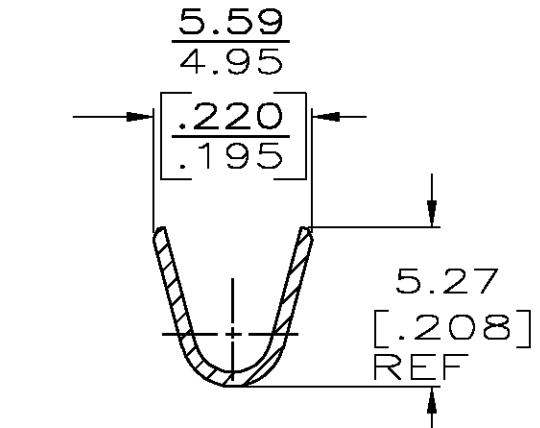
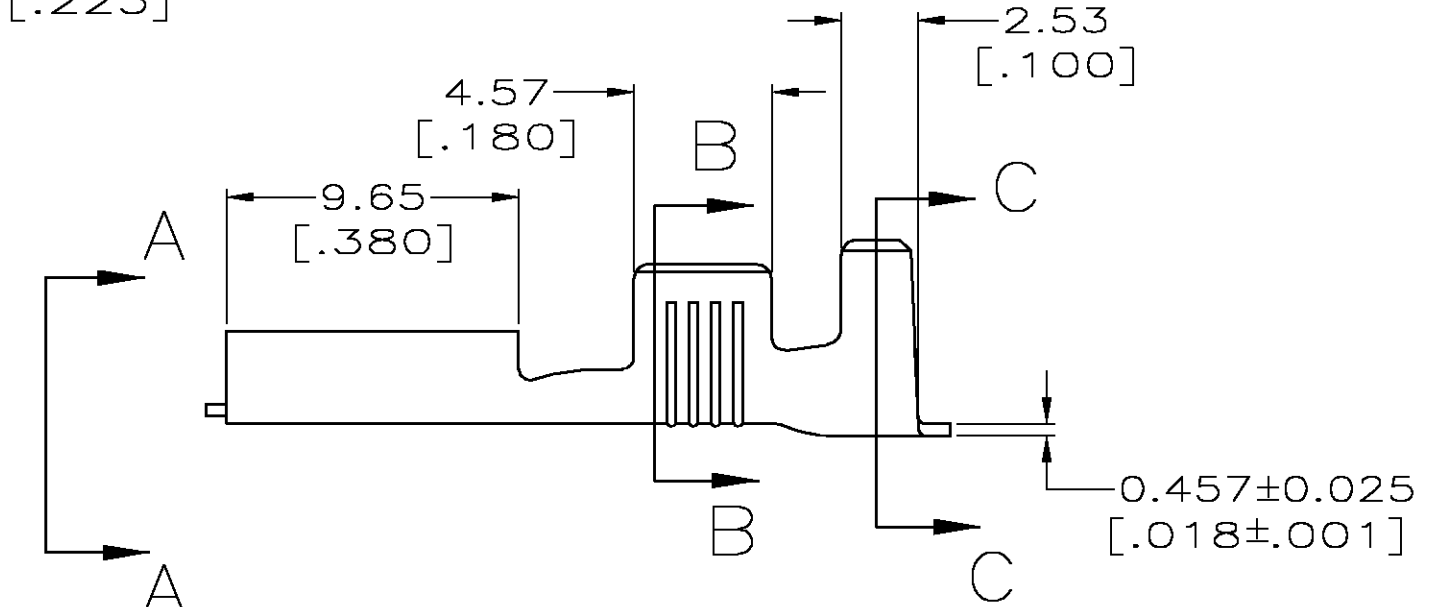


THIS DRAWING IS UNPUBLISHED. RELEASED FOR PUBLICATION
 © COPYRIGHT BY TYCO ELECTRONICS CORPORATION. ALL RIGHTS RESERVED.

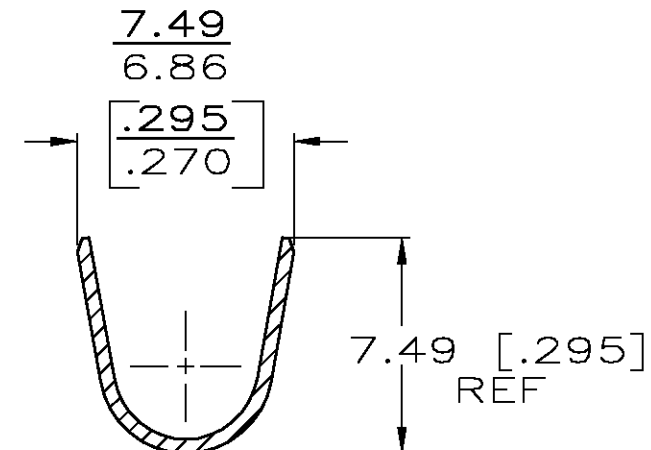
LOC	DIST	REVISIONS					
AF	50	P	LTR	DESCRIPTION	DATE	DWN	APVD
			D	REV PER 0G3A-0008-05	13JAN05	JR	PD



VIEW A-A



SECTION B-B



SECTION C-C

0.002032 [.000080] MIN TIN	5 63820-3
0.00381 [.000150] MIN SILVER	
FINISH	PART NO.

F	6.35 [.250]	6.40 [.252]	F	3.56 [.140]	1.98 [.078] 2.29 [.090] 2.74 [.108]	[#14] [#12] [#10]
TYPE	WIDTH	STRIP LENGTH ±0.38 ±[.015]	TYPE	WIDTH	±0.051 ±[.002] HEIGHT	WIRE
INSUL BARREL CRIMP			WIRE BARREL CRIMP			

THIS DRAWING IS A CONTROLLED DOCUMENT.

DIMENSIONS: MM[INCHES]	TOLERANCES UNLESS OTHERWISE SPECIFIED:
	0 PLC ± -
	1 PLC ± -
	2 PLC ± 0.25 [.010]
	3 PLC ± -
	4 PLC ± -
	ANGLES ± -
MATERIAL 4M BRASS	FINISH SEE TABLE

DWN JR RUTH 11/3/94	tyco Electronics	Tyco Electronics Corporation Harrisburg, Pa 17105-3608		
CHK MS FEHER 11/3/94		NAME RECEPTACLE, FASTON, 7.92 [.312] SERIES		
APVD J GILLESPIE 11/3/94		PRODUCT SPEC -	APPLICATION SPEC 114-2036	RESTRICTED TO -
WEIGHT -	SIZE A3	CAGE CODE 00779	DRAWING NO C-63820	
CUSTOMER DRAWING		SCALE 4:1	SHEET 1 OF 1	REV D